

## PARTIAL CONVERSION OF O-7 OSCILLOSCOPE.

The kit of parts enclosed will permit the owner of an O-7 Scope to incorporate some of the circuit changes found in the O-8. The purpose of this partial conversion is to increase the frequency response of the vertical amplifiers. The change is simple to make and the pictorial and schematic show clearly how it is accomplished.

The two lug terminal strip which is mounted in location X should be removed and replaced with the 4 lug terminal strip provided. Remove the two 22K 1-W resistors (fastened on the 2 lug strip) from the circuit and mount them on the four lug strip as shown.

The .5MFD condenser on the other side of the bracket should have its leads passed through the same holes in the bracket as in the case of the O-7 scope, and should be connected to the lugs indicated in the pictorial. The pictorial diagram does not show both condenser leads passed through the bracket holes (for the purpose of clarity). Observe the notes.

Mount the two 1 MH chokes as indicated. Handle these chokes carefully as it would be very easy to break the fine wire of the winding—therefore use caution when bending the leads and when soldering.

Leads 1 and 2 formerly on the two lug terminal strip should be connected to the four lug strip as shown in the pictorial.

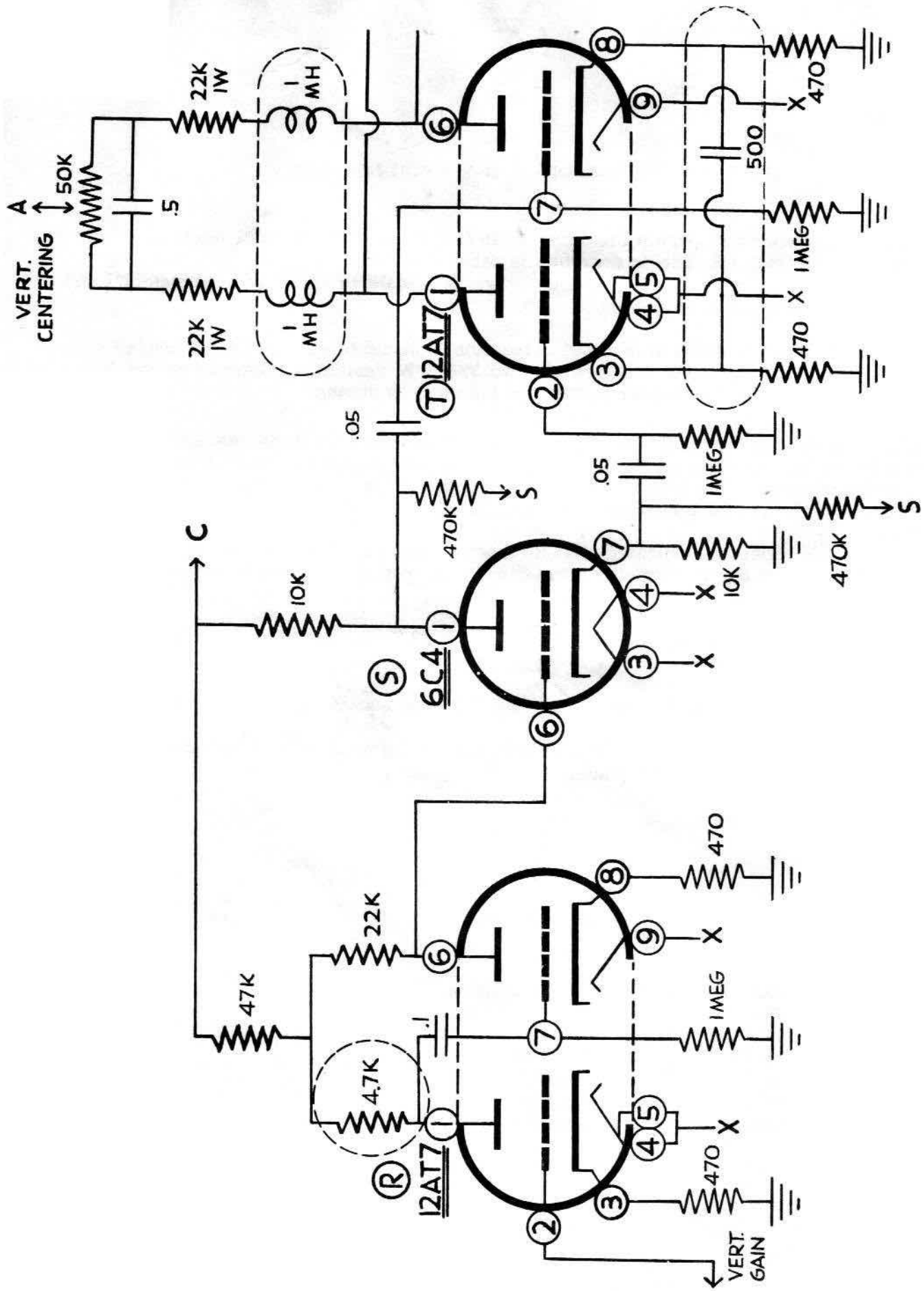
Connect the 500 MMF condenser between pins 3 and 8 of tube socket T.

Remove the 22K resistor which is mounted between lug 3 of terminal strip W and pin 1 of socket R, and mount the 4.7K resistor in its place.

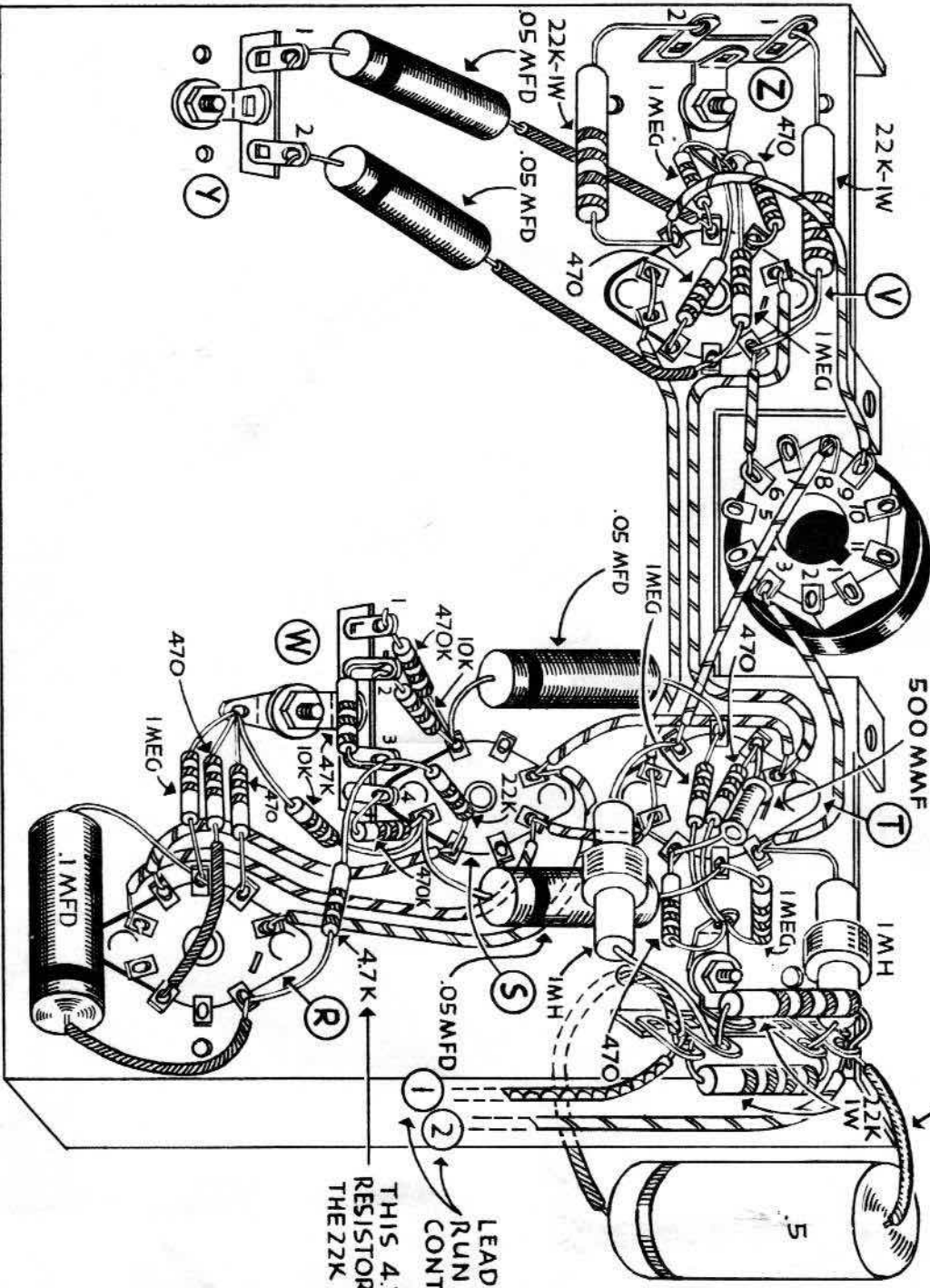
This completes the conversion.

### PARTS LIST

Part No.	Qty.	Description
1-16	1	4.7K Resistor
21-13	1	500 MMF Condenser
45-3	2	1 MH Chokes
431-5	1	4 Lug Terminal Strip
595-53	1	Instr. Sheet for 370 Conversion Kit



REVISED SCHEMATIC



THIS LEAD GOES THROUGH THE HOLE IN THE BRACKET. IT IS SHOWN IN THIS MANNER FOR CLARIFICATION ONLY. (SEE LEAD BELOW)

LEADS 1 AND 2 RUN TO "CONTROL C" THIS 4.7K RESISTOR REPLACES THE 22K RESISTOR.